

2MP Mini Fixed Bullet Network Camera

IPC2122LB-ASF28(40)-ECO



Key Features



- High quality image with 2MP, 1/2.8" CMOS sensor
- 2MP(1920*1080)@25fps; 720P (1280*720) @25fps
- Ultra 265, H.265, H.264
- 2D/3D DNR (Digital Noise Reduction)
- ROI (Region of Interest)
- ONVIF Conformance
- Smart IR, up to 30m (98ft) IR distance
- 3-Axis
- Built-in Mic
- Wide temperature range: -30°C ~ 60°C (-22°F ~ 140°F)
- DC12V or PoE(IEEE 802.3af) power supply
- IP67

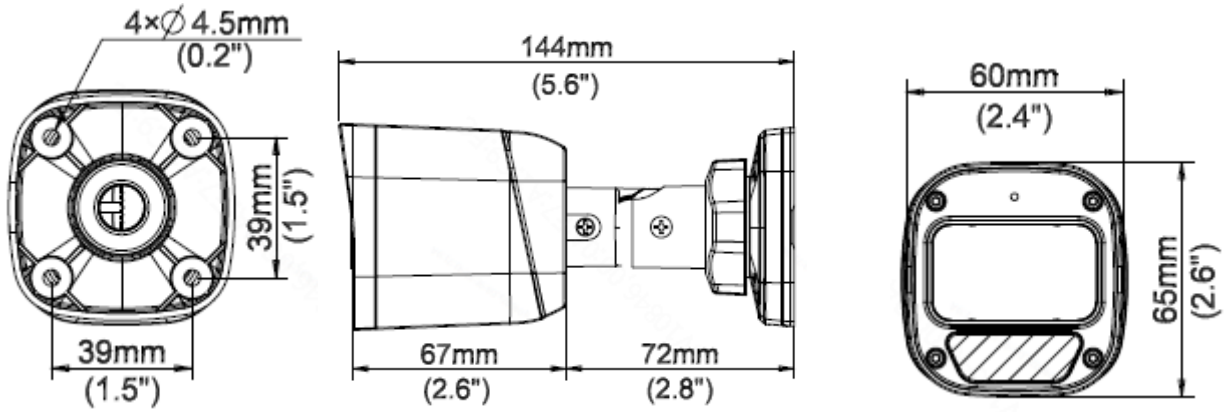
Specifications

	IPC2122LB-ASF28-ECO	IPC2122LB-ASF40-ECO			
Camera					
Sensor	1/2.8", 2.0 megapixel, progressive scan, CMOS				
Minimum Illumination	Colour: 0.02Lux (F2.0, AGC ON) 0Lux with IR on				
Day/Night	IR-cut filter with auto switch (ICR)				
Shutter	Auto/Manual, 1 ~ 1/100000s				
Adjustment angle	Pan: 0° ~ 360°	Tilt: 0° ~ 90°		Rotate: 0° ~ 360°	
WDR	DWDR				
S/N	>52dB				
Lens					
Lens Type	2.8mm@F2.0		4.0mm@F2.0		
Iris	Fixed				
Field of View (H)	106.7°		87.5°		
Field of View (V)	57.1°		46.3°		
Field of View (D)	115.7°		92.4°		
DORI					
DORI Distance	Lens	Detect (m)	Observe (m)	Recognize (m)	Identify (m)
	2.8mm	43.4	17.4	8.7	4.3
	4.0mm	62.1	24.8	12.4	6.2
Illuminator					
IR Range	Up to 30m (98 ft) IR range				
Wavelength	850nm				
IR On/Off Control	Auto/Manual				
Video					
Video Compression	Ultra 265, H.265, H.264				
H.264 code profile	Baseline profile, Main profile, High profile				
Frame Rate	Main Stream: 1080P (1920*1080), Max 25fps; 720P (1280*720), Max 25fps; Sub Stream: D1 (720*576), Max 25fps; 640*360, Max 25fps; 2CIF(704*288), Max 25fps; CIF(352*288), Max 25fps;				
Video Bit Rate	128 Kbps~6 Mbps				
U-code	Support				
OSD	Up to 4 OSDs				
Privacy Mask	Up to 4 areas				
ROI	Up to 8 areas				
Video stream	Dual streams				
Image					
White Balance	Auto/Outdoor/Fine Tune/Sodium Lamp/Locked/Auto2				
Digital Noise Reduction	2D/3D DNR				
Smart IR	Support				
Flip	Normal/Vertical/Horizontal/180°				
Dewarping	N/A				

HLC	Support
BLC	Support
Defog	Digital Defog
Events	
Basic Detection	Motion detection, Audio detection
General Function	Watermark, IP address filtering, Access policy, ARP protection, RTSP authentication, User authentication, HTTP authentication
Audio	
Audio Compression	G.711U, G.711A
Audio Bitrate	64 Kbps
Two-way Audio	N/A
Suppression	Support
Sampling Rate	8KHZ
Network	
Protocols	IPv4, IGMP, ICMP, TCP, UDP, DHCP, RTP, RTSP, RTCP, DNS, DDNS, NTP, UPnP, HTTP, QoS, RTMP
Compatible Integration	ONVIF (Profile S, Profile T), API
User/Host	Up to 32 users. 2 user levels: administrator and common user
Client	UNV-Link UNV-Link Pro EZStation
Web Browser	Plug-in free live view: Chrome 57.0 and above, Firefox 58.0 and above, Edge 16 and above
Interface	
Audio I/O	N/A
Alarm I/O	N/A
Built-in Mic	Support
Built-in Speaker	N/A
WIFI	N/A
Network	1 * RJ45 10M/100M Base-TX Ethernet
Video Output	N/A
Certifications	
EMC	CE-EMC (EN 55032, EN 61000-3-3, EN IEC 61000-3-2, EN 55035) FCC (FCC 47 CFR part15 B)
RF	FCC ID (FCC CFR 47 part15 C) CE RED (EN 301 489-1, EN 301 489-17, EN 300 328, EN 62311)
Safety	CE LVD (EN 62368-1)
Environment	CE-RoHS (2011/65/EU; EU)2015/863); WEEE (2012/19/EU)
Protection	IP67 (IEC 60529)
General	
Power	DC 12V±25%, PoE (IEEE 802.3af)
	Power consumption: Max 3.5W
Dimensions (L × W × H)	144 × 60 × 65mm (5.6" × 2.4" × 2.6")
Weight	0.17kg (0.37lb)
Working Environment	-30°C~60°C(-22°F ~ 140°F), Humidity: ≤95% RH (non-condensing)
Storage Environment	-30°C~60°C(-22°F ~ 140°F), Humidity: ≤95% RH (non-condensing)

Surge Protection	4KV
Reset Button	N/A

Dimensions



Accessories

TR-UP06-B-IN

Pole Mount



TR-JB05-A-IN

Junction Box



TR-UP06-C-IN

Pole Mount



TR-A01-IN

Waterproof Joint



www.uniview.com/uniarch

©2024 Zhejiang Uniview Technologies Co., Ltd. All rights reserved.

*Product specifications and availability are subject to change without notice.